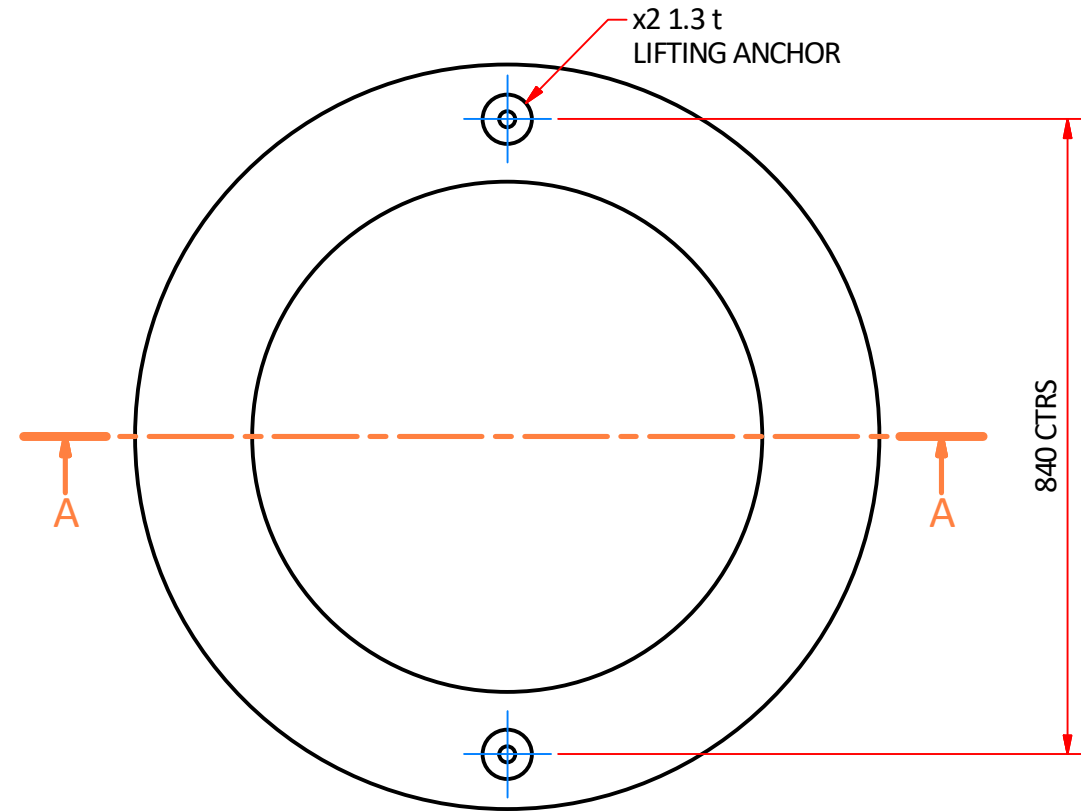
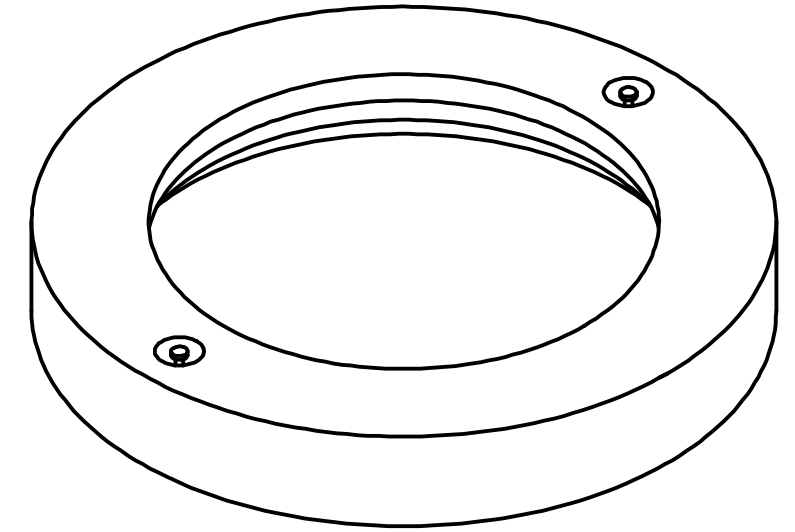


NOTES:

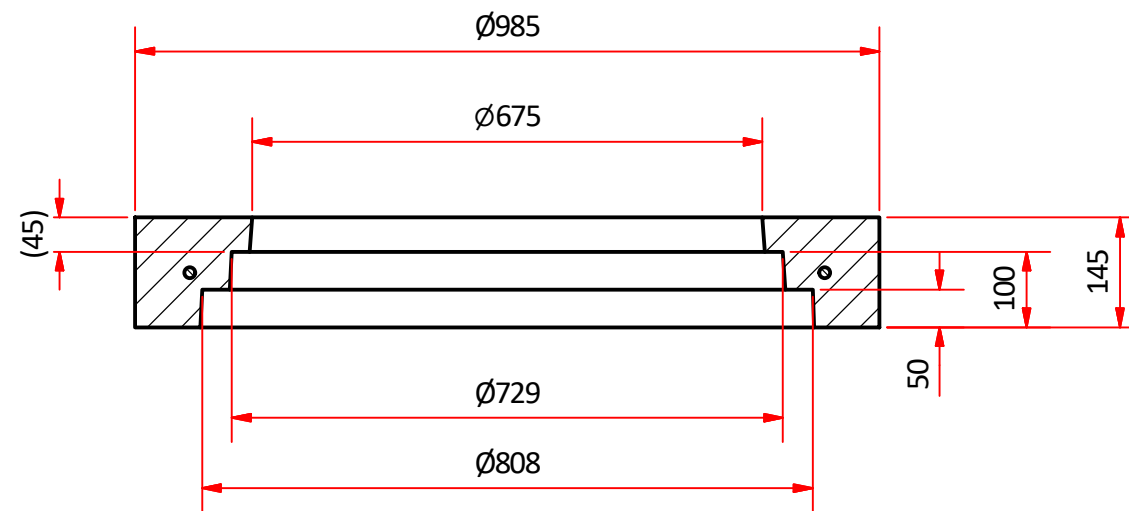
1. THIS DRAWING PROVIDES DETAIL OF A PRECAST CONCRETE SURROUND FOR CIRCULAR PIT TYPE 60
2. MADE TO QUEENSLAND MAIN ROADS SD1685
3. MADE WITH 40 MPa CONCRETE
4. REINFORCEMENT STEEL SHALL BE IN ACCORDANCE WITH AS4671 AND MRTS71
5. PRECAST COMPONENTS TO BE INSTALLED IN ACCORDANCE WITH MANUFACTURER'S SPECIFICATIONS



SIDE VIEW ( 1:10 )



3D VIEW ( 1:10 )



A-A ( 1:10 )

General Notes;

1. All dimensions are in mm
2. Tolerance on all dimensions  $\pm 3$  mm unless stated otherwise

Copyright: TRI Underground Australia Pty Ltd

This instruction and all the information herein is the property of TRI Underground PTY LTD. It must not be copied, made public or used directly or indirectly, including manufacture of the product shown herein, without written approval. This instruction is loaned subject to these conditions and subject to return on demand.

Commercial in confidence



Material  
CONCRETE

Weight  
APPROX. 115 kg

Finish  
OFF MOULD

Designed by  
IMD

Checked by  
HL

Approved by  
HA

Date  
23/03/2022

Date  
22/02/2022

TRI Underground Australia

Title  
CONCRETE SURROUND TYPE 60

Dwg No.  
11847

Edition  
A

Sheet  
1 / 1